

Thank you for purchasing a Sealey product. Manufactured to a high standard, this product will, if used according to these instructions, and properly maintained, give you years of trouble free performance.

**IMPORTANT:** PLEASE READ THESE INSTRUCTIONS CAREFULLY. NOTE THE SAFE OPERATIONAL REQUIREMENTS, WARNINGS & CAUTIONS. USE THE PRODUCT CORRECTLY AND WITH CARE FOR THE PURPOSE FOR WHICH IT IS INTENDED. FAILURE TO DO SO MAY CAUSE DAMAGE AND/OR PERSONAL INJURY AND WILL INVALIDATE THE WARRANTY. KEEP THESE INSTRUCTIONS SAFE FOR FUTURE USE.



Refer to instructions



Wear eye protection



Wear protective gloves



Wear protective clothing



Wear ear protection



Wear a mask

## 1. SAFETY

### 1.1. ELECTRICAL SAFETY

- WARNING!** It is the user's responsibility to check the following:  
Check all electrical equipment and appliances to ensure that they are safe before using. Inspect power supply leads, plugs and all electrical connections for wear and damage. Sealey recommend that an RCD (Residual Current Device) is used with all electrical products. You may obtain an RCD by contacting your local Sealey dealer.  
If the grinder is used in the course of business duties, it must be maintained in a safe condition and routinely PAT (Portable Appliance Test) tested.

**Electrical safety information**, it is important that the following information is read and understood.

- ✓ Ensure that the insulation on all cables and on the appliance is safe before connecting it to the power supply.
- ✓ Regularly inspect power supply cables and plugs for wear or damage and check all connections to ensure that they are secure.  
**IMPORTANT:** Ensure that the voltage rating on the appliance suits the power supply to be used and that the plug is fitted with the correct fuse - see fuse rating in these instructions.
- \* **DO NOT** pull or carry the appliance by the power cable.
- \* **DO NOT** pull the plug from the socket by the cable. Remove the plug from the socket by maintaining a firm grip on the plug.
- \* **DO NOT** use worn or damaged cables, plugs or connectors. Ensure that any faulty item is repaired or replaced immediately by a qualified electrician.

This product is fitted with a BS1363/A 13 Amp 3 pin plug.

If the cable or plug is damaged during use, switch the electricity supply and remove from use.

Replace a damaged plug with a BS1363/A 13 Amp 3 pin plug. If in doubt contact a qualified electrician.

Class II products are wired with live (brown) and neutral (blue) only are marked with the Class II symbol;

A) Connect the BROWN live wire to the live terminal 'L'.

B) Connect the BLUE neutral wire to the neutral terminal 'N'.

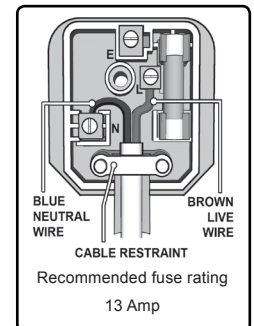
C) After wiring, check that there are no bare wires and ensure that all wires have been correctly connected.

Ensure that the cable outer sheath extends inside the cable restraint and that the restraint is tight.

- \* **DO NOT** connect either wire to the earth terminal.  
Sealey recommend that repairs are carried out by a qualified electrician.

### 1.2. GENERAL SAFETY

- ✓ Disconnect the grinder from the mains power before changing accessories, servicing or performing any maintenance.
- ✓ Maintain grinder and discs in good condition. Check moving parts and alignment. If necessary use an authorised service agent.
- ✓ Replace or repair damaged parts. *Use recommended parts only. Unauthorised parts may be dangerous and will invalidate the warranty.*
- WARNING!** Always work with the grinder safety guard in place.
- ✓ Wear approved safety goggles, ear defenders, gloves and, if grinder generates dust, a dust mask.
- ✓ The grinding wheel or disc must only be changed by persons holding an appropriate grinding wheel certificate.
- ✓ Remove ill fitting clothing. Remove ties, watches, rings and other loose jewellery and contain long hair.
- ✓ Use grinder in a suitable work area. Keep area clean, tidy and free from unrelated materials and ensure adequate lighting.
- ✓ Maintain correct balance and footing, **DO NOT** over-reach. Ensure the floor is not slippery and wear non-slip shoes.
- ✓ Use only approved grinding discs and only use the normal grinding surface.
- ✓ Check grinding disc to ensure there are no splits, cracks or other damage (see Section 6). If in doubt do not use the disc.
- ✓ Grinding discs must be securely attached before use, but not over-tightened.
- ✓ Secure unstable workpiece with a clamp, vice or other adequate holding device and ensure the grinder is gripped with both hands.
- ✓ Keep non-essential persons away from the working area, use screens if necessary.
- \* **DO NOT** operate the grinder if any parts are missing or the grinder is damaged.
- \* **DO NOT** use the grinder for a task it is not designed to perform.
- \* **DO NOT** operate the grinder where there are flammable solids, liquids or gasses.
- WARNING! DO NOT** grind any materials containing asbestos.
- \* **DO NOT** get the grinder wet or use in damp or wet locations.
- \* **DO NOT** switch the grinder on whilst the disc is in contact with the workpiece.
- \* **DO NOT** cover the grinder air vents. To do so will overheat the machine.
- \* **DO NOT** touch the workpiece immediately after grinding, it will be very hot.
- \* **DO NOT** use the grinder as a fixed tool and **DO NOT** try to cool the grinding disc with water or other lubricants.



- ✗ **DO NOT** hold unsecured work in your hand and **DO NOT** touch the grinding disc whilst operating, or whilst plugged into the mains power.
- ✗ **DO NOT** leave the grinder running unattended, and **DO NOT** lay the grinder down whilst it is running.
- ✗ **DO NOT** operate the grinder when you are tired or under the influence of alcohol, drugs or intoxicating medication.
- ✓ When not in use switch off grinder, remove plug from power supply and store in safe, dry, childproof area.

#### **DANGER OF FIRE/EXPLOSION HAZARD**

- ❑ **WARNING!** The grinding process can produce streams of sparks which are a potential source of ignition, especially when grinding metal.
- ✗ **DO NOT** use the grinder where there are flammable liquids, solids or gases.
- ✗ **DO NOT** allow grinder sparks to make contact with the operator's clothing or any other fabric such as cleaning rags. Fabrics contaminated with flammable materials such as petrol, oil, grease, paint and solvents are a particular fire hazard.
- ✓ **To reduce the risk of clothing catching fire the operator should wear wool or cotton outer garments treated with a fire retardant in preference to man-made fibres.**

## 2. INTRODUCTION

Angle grinder with alloy drive casing and composite motor housing. Smooth running motor and bevel gears give low operating noise and vibration. Models feature an integral spindle lock for fast loading/unloading of grinding discs. Slider type power control with power lock. Supplied with side handle, guard and spanner. Grinding disc not included, order model no. PTC/115G.

## 3. SPECIFICATION

Model no: ..... S0530.V2  
 Disc size: ..... Ø115mm  
 Spindle size: ..... M14 x 2mm  
 Motor power: ..... 600W  
 Supply: ..... 230V  
 No load speed: ..... 11000rpm  
 Nett Weight: ..... 2.1kg  
 Noise power: ..... 100dB  
 Noise pressure: ..... 89dB  
 Vibration: ..... 4.646m/s<sup>2</sup>  
 Uncertainty: ..... 1.5m/s<sup>2</sup>

Model no: ..... S0685.V2  
 Disc size: ..... Ø115mm  
 Spindle size: ..... M14 x 2mm  
 Motor power: ..... 860W  
 Supply: ..... 230V  
 No load speed: ..... 11000rpm  
 Nett Weight: ..... 2.3kg  
 Noise power: ..... 100dB  
 Noise pressure: ..... 89dB  
 Vibration: ..... 4.646m/s<sup>2</sup>  
 Uncertainty: ..... 1.5m/s<sup>2</sup>

## 4. CONTENTS

1. Angle grinder
2. Safety guard
3. Disc flange
4. Nut flange
5. Auxiliary handle
6. Disc spanner

## 5. ASSEMBLY

- ❑ **WARNING!** Ensure that the grinder is unplugged from the mains power supply before assembling.

### 5.1. FIT GRINDING DISC

- 5.1.1. (only to be performed by person holding grinding wheel certificate) Place the disc flange (fig.5.8) onto the centre spindle (fig.5.5A) ensuring that the joint ring (fig.5.9) is facing away from the grinder.
- 5.1.2. Engage the recess in the disc flange with the drive flats on the shaft.
- 5.1.3. Place grinding disc on the spindle.
- 5.1.4. Retain disc with nut flange. Fit with spigot facing out if disc is less than 5mm thick, and facing in if disc is more than 5mm thick (fig.2 & 3).
- 5.1.5. Stop the spindle from turning by pushing in and holding the locking button (fig.4).
- 5.1.6. Lock the grinding disc into place by tightening the nut flange (fig.5.10) with the disc spanner (fig.5.11).
- 5.1.7. Release the locking button and check that it has sprung back to the initial position.

### 5.2. POSITIONING THE GUARD

- 5.2.1. The guard may be rotated through any angle to suit the task.
- 5.2.2. Position the guard to give working access whilst still providing maximum protection for the operator.
- 5.2.3. Lock the guard in place by tightening locking bolt (fig.4).

### 5.3. HANDLE

- 5.3.1. The auxiliary handle will allow better control and safety.
- 5.3.2. Fit the handle by screwing it into the threaded hole on either the left or right side of the gear box, as best suits the work.

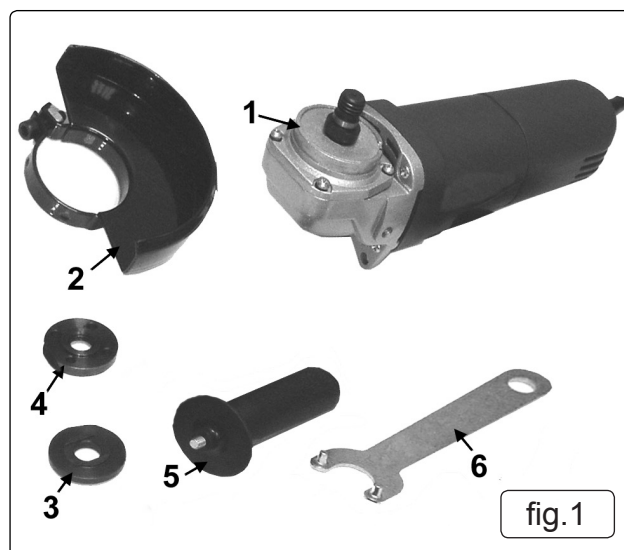
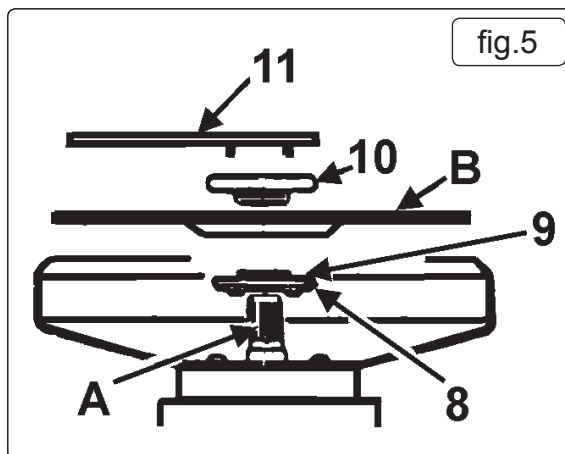
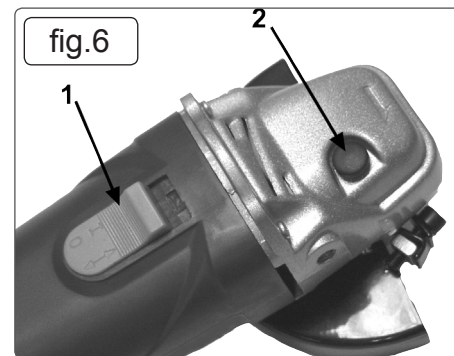
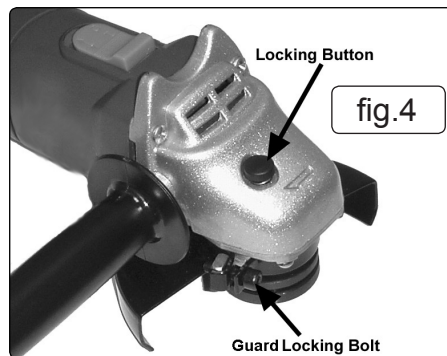
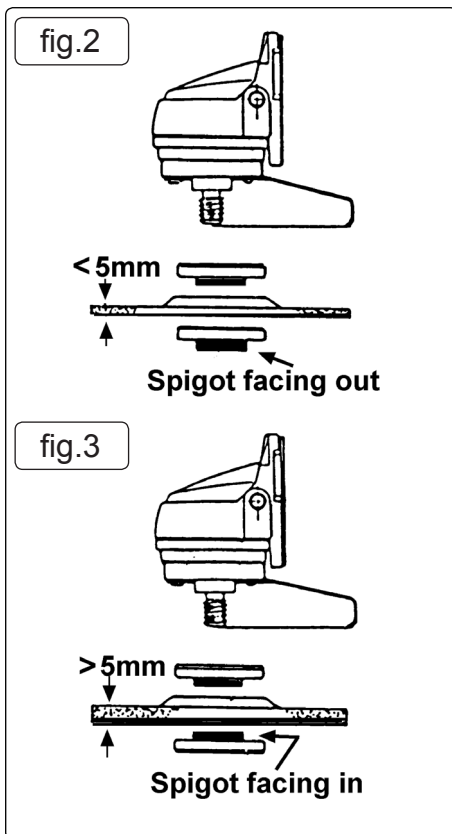


fig.1

## 6. GRINDING DISCS

- ❑ **WARNING! DO NOT USE DISCS THAT ARE DAMAGED, OR SUSPECTED OF DAMAGE.** Before using a grinding disc ensure there are no fissures or cracks. Once mounted on the grinder test the disc before use by facing the grinder in a safe direction (pointing away from yourself, others and vulnerable items) and operate for a short time.
- ▲ **DANGER!** Use of damaged discs may cause damage and/or personal injury. Grinding and cutting discs used in association with this machine shall be of an adequate speed rating and suitable for the job in hand. The discs should be manufactured in accordance with British Standard 4481:Part 1 1989. Only persons holding a grinding wheel certificate are authorised to change grinding discs.



## 7. OPERATION

- **WARNING!** This tool is not intended for continuous professional use.
  - **WARNING!** Ensure grinder is unplugged from the mains power supply before changing accessories.
- 7.1. **PREPARATION**
- 7.1.1. Assemble grinding disc according to section 5.1. and position handle to suit the task.
- 7.1.2. Ensure the disc safety guard is correctly positioned.
- 7.1.3. Plug grinder into the mains power supply.
- 7.1.4. The On/Off switch (fig 6.1) is designed to avoid starting should the switch be pressed in error.
- 7.1.5. Once plugged into the mains supply, start the grinder by sliding the switch forward - it will latch in the 'On' position.
- **WARNING!** When the grinder first starts it will kick to the right, you must ensure therefore that the tool is securely gripped in both hands. Especially important is the position you choose to secure the auxiliary handle in order to maintain stability.
- 7.1.6. To switch off the machine push the back of the On/Off button down. The button will slide backward under spring pressure to the safety position and the machine will stop.
- **WARNING!** Before grinding ensure you wear approved safety goggles, ear defenders, dust mask if grinder generates dust and safety gloves, and that all other safety instructions in Section 1 are followed carefully.
- 7.2. **GRINDING**
- 7.2.1. The key to effective operating is controlling the pressure and surface contact between the disc and the workpiece.
- **WARNING! DO NOT** switch the grinder on whilst the disc is in contact with the workpiece. Bring the rotating disc to the workpiece.
- 7.2.2. Allow the disc to reach full speed before starting to grind.
- 7.2.3. Grind flat surfaces at an angle of between 10 and 20°.
- 7.2.4. Too great an angle will cause a concentration of pressure in one small area resulting in gouging or burning of the surface.
- 7.2.5. When grinding is complete allow the workpiece to cool. **DO NOT** touch the hot surface.
- 7.2.6. Unplug the grinder from the mains power supply, clean and store in a safe, dry, childproof area.

## 8. MAINTENANCE

- **WARNING!** Ensure the grinder is disconnected from the mains power supply before attempting any maintenance.
- 8.1. Keep the grinder ventilation slots clean and free from obstructions. If available, blow compressed air into the vents to clear any internal dust (safety goggles must be worn when undertaking this process). Keep the outer case of the grinder clean and free from grease.
- × **DO NOT** wash with water or use solvents or abrasives.

## WARNING! – Risk of Hand Arm Vibration Injury.

**This tool may cause Hand Arm Vibration Syndrome if its use is not managed adequately.**

This tool is subject to the vibration testing section of the Machinery Directive 2006/42/EC.

This tool is to be operated in accordance with these instructions.

**Measured vibration emission value (a): . . . . . 4.646 m/s<sup>2</sup>**

**Uncertainty value (k): . . . . . 1.5m/s<sup>2</sup>**

*Please note that the application of the tool to a sole specialist task may produce a different average vibration emission. We recommend that a specific evaluation of the vibration emission is conducted prior to commencing with a specialist task.*

A health and safety assessment by the user (or employer) will need to be carried out to determine the suitable duration of use for each tool.

**NB:** Stated Vibration Emission values are type-test values and are intended to be typical.

Whilst in use, the actual value will vary considerably from and depend on many factors.

Such factors include; the operator, the task and the inserted tool or consumable.

**NB:** ensure that the length of leader hoses is sufficient to allow unrestricted use, as this also helps to reduce vibration.

*The state of maintenance of the tool itself is also an important factor, a poorly maintained tool will also increase the risk of Hand Arm Vibration Syndrome.*

### Health surveillance.

We recommend a programme of health surveillance to detect early symptoms of vibration injury so that management procedures can be modified accordingly.

### Personal protective equipment.

We are not aware of any personal protective equipment (PPE) that provides protection against vibration injury that may result from the uncontrolled use of this tool. We recommend a sufficient supply of clothing (including gloves) to enable the operator to remain warm and dry and maintain good blood circulation in fingers etc. Please note that the most effective protection is prevention, please refer to the Correct Use and Maintenance section in these instructions. Guidance relating to the management of hand arm vibration can be found on the HSE website [www.hse.gov.uk](http://www.hse.gov.uk) - Hand-Arm Vibration at Work.



### ENVIRONMENT PROTECTION

Recycle unwanted materials instead of disposing of them as waste. All tools, accessories and packaging should be sorted, taken to a recycling centre and disposed of in a manner which is compatible with the environment. When the product becomes completely unserviceable and requires disposal, drain any fluids (if applicable) into approved containers and dispose of the product and fluids according to local regulations.



### WEEE REGULATIONS

Dispose of this product at the end of its working life in compliance with the EU Directive on Waste Electrical and Electronic Equipment (WEEE). When the product is no longer required, it must be disposed of in an environmentally protective way. Contact your local solid waste authority for recycling information.

**Note:** It is our policy to continually improve products and as such we reserve the right to alter data, specifications and component parts without prior notice.

**Important:** No Liability is accepted for incorrect use of this product.

**Warranty:** Guarantee is 12 months from purchase date, proof of which is required for any claim.

**Sealey Group, Kempson Way, Suffolk Business Park, Bury St Edmunds, Suffolk. IP32 7AR**



**01284 757500**



**01284 703534**



**sales@sealey.co.uk**



**www.sealey.co.uk**